

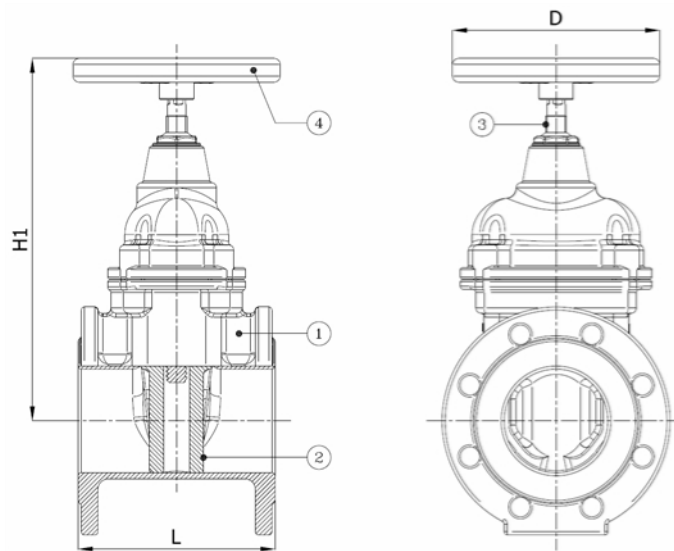
## BV49-3434E-F4-PN10/PN16 - HANDWHEEL

Gate valve, flanged PN16, resilient seated, F4 short face to face, with handwheel

Face to Face Standard: EN 558-1 series 14



Item Number	Belven Ref
493444E2040	BV49-3434E-F4-PN16 DN040 - HANDWHEEL
493444E2050	BV49-3434E-F4-PN16 DN050 - HANDWHEEL
493444E2065	BV49-3434E-F4-PN16 DN065 - HANDWHEEL
493444E2080	BV49-3434E-F4-PN16 DN080 - HANDWHEEL
493444E2100	BV49-3434E-F4-PN16 DN100 - HANDWHEEL
493444E2125	BV49-3434E-F4-PN16 DN125 - HANDWHEEL
493444E2150	BV49-3434E-F4-PN16 DN150 - HANDWHEEL



DN/Size	D	H1	L	Press.Cl.	Weight(kg)
DN40 (1 1/2")	160	240	140	PN16	7.70
DN50 (2")	180	250	150	PN16	9.40
DN65 (2 1/2")	180	265	170	PN16	11.50
DN80 (3")	200	300	180	PN16	14.00
DN100 (4")	200	350	190	PN16	17.00
DN125 (5")	220	410	200	PN16	29.20
DN150 (6")	250	450	210	PN16	34.00

Item 1	Item 2	Item 3	Item 4
Body Material	Wedge Material	Stem Material	Actuator Material
Ductile iron : GGG50 + Epoxy coating	EPDM vulcanized on ductile iron core GGG50	Stainless steel : AISI 420	Ductile iron

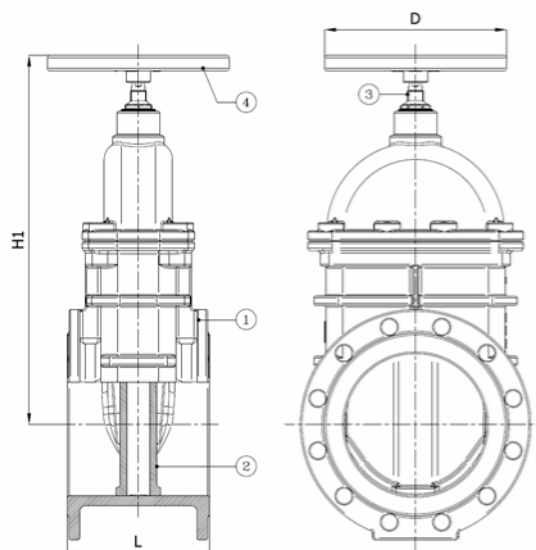
## BV49-3434E-F4-PN16 - HANDWHEEL

Gate valve, flanged PN16, resilient seated, F4 short face to face, with handwheel

*Face to Face Standard:* EN 558-1 series 14



Item Number	Belven Ref
493444E2200	BV49-3434E-F4-PN16 DN200 - HANDWHEEL
493444E2250	BV49-3434E-F4-PN16 DN250 - HANDWHEEL
493444E2300	BV49-3434E-F4-PN16 DN300 - HANDWHEEL
493444E2350	BV49-3434E-F4-PN16 DN350 - HANDWHEEL
493444E2400	BV49-3434E-F4-PN16 DN400 - HANDWHEEL
493444E2450	BV49-3434E-F4-PN16 DN450 - HANDWHEEL
493444E2500	BV49-3434E-F4-PN16 DN500 - HANDWHEEL
493444E2600	BV49-3434E-F4-PN16 DN600 - HANDWHEEL



DN/Size	D	H1	L	Press.Cl.	Weight(kg)
DN200 (8")	280	550	230	PN16	57.50
DN250 (10")	320	650	250	PN16	91.00
DN300 (12")	350	710	270	PN16	126.20
DN350 (14")	450	762	290	PN16	190.00
DN400 (16")	450	836	310	PN16	245.00
DN450 (18")	640	957	330	PN16	355.00
DN500 (20")	640	1036	350	PN16	425.00
DN600 (24")	640	1188	390	PN16	585.00

Item 1	Item 2	Item 3	Item 4
Body Material	Wedge Material	Stem Material	Actuator Material
Ductile iron : GGG50 + Epoxy coating	EPDM vulcanized on ductile iron core GGG50	Stainless steel : AISI 420	Ductile iron

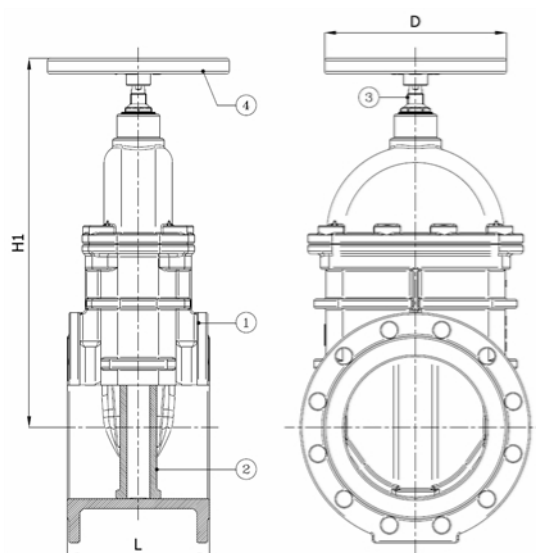
## BV49-3434E-F4-PN10 - Handwheel

Gate valve, flanged PN10, resilient seated, F4 short face to face, with handwheel

*Face to Face Standard:* EN 558-1 series 14



Item Number	Belven Ref
492444E2200	BV49-3434E-F4-PN10 DN200 - HANDWHEEL
492444E2250	BV49-3434E-F4-PN10 DN250 - HANDWHEEL
492444E2300	BV49-3434E-F4-PN10 DN300 - HANDWHEEL
492444E2350	BV49-3434E-F4-PN10 DN350 - HANDWHEEL
492444E2400	BV49-3434E-F4-PN10 DN400 - HANDWHEEL
492444E2450	BV49-3434E-F4-PN10 DN450 - HANDWHEEL
492444E2500	BV49-3434E-F4-PN10 DN500 - HANDWHEEL
492444E2600	BV49-3434E-F4-PN10 DN600 - HANDWHEEL



DN/Size	D	H1	L	Press.Cl.	Weight(kg)
DN200 (8")	280	550	230	PN10	65.50
DN250 (10")	320	650	250	PN10	88.17
DN300 (12")	350	710	270	PN10	127.50
DN350 (14")	450	762	290	PN10	197.00
DN400 (16")	450	836	310	PN10	235.00
DN450 (18")	640	957	330	PN10	258.00
DN500 (20")	640	1036	350	PN10	415.00
DN600 (24")	640	1188	390	PN10	575.00

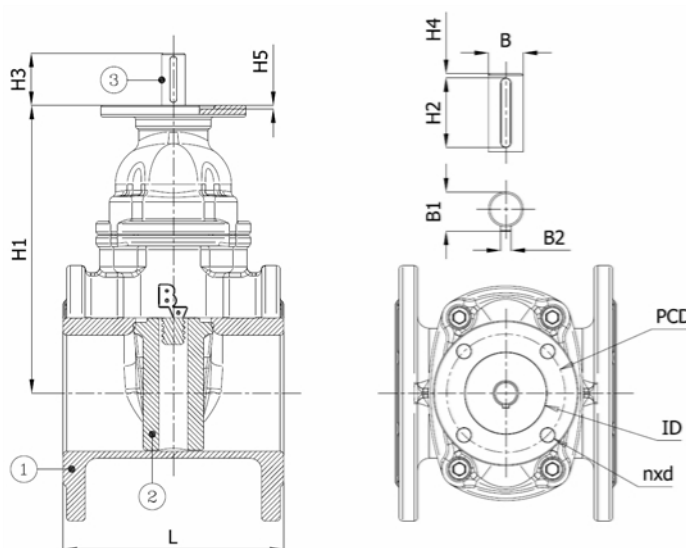
Item 1	Item 2	Item 3	Item 4
Body Material	Wedge Material	Stem Material	Actuator Material
Ductile iron : GGG50 + Epoxy coating	EPDM vulcanized on ductile iron core GGG50	Stainless steel : AISI 420	Ductile iron

## BV49-3434E-F4-PN16 - ISO

Gate valve, flanged PN16, resilient seated, F4 short face to face, bare shaft with ISO 5211 flange for automation  
Face to Face Standard: EN 558-1 series 14



Item Number	Belven Ref
493444E0050	BV49-3434E-F4-PN16 DN050 - BARE SHAFT
493444E0065	BV49-3434E-F4-PN16 DN065 - BARE SHAFT
493444E0080	BV49-3434E-F4-PN16 DN080 - BARE SHAFT
493444E0100	BV49-3434E-F4-PN16 DN100 - BARE SHAFT
493444E0125	BV49-3434E-F4-PN16 DN125 - BARE SHAFT
493444E0150	BV49-3434E-F4-PN16 DN150 - BARE SHAFT
493444E0200	BV49-3434E-F4-PN16 DN200 - BARE SHAFT
493444E0250	BV49-3434E-F4-PN16 DN250 - BARE SHAFT
493444E0300	BV49-3434E-F4-PN16 DN300 - BARE SHAFT



DN/Size	B	B1	B2	H1	H2	H3	H4	H5	ID	L	ISO	PCD	n x d	Press.Cl.	Weight(kg)
DN50 (2")	20	21,5	6	320	36	45	5	3,5	70	150	F10	102	4 x d12	PN16	11.00
DN65 (2 1/2")	20	21,5	6	335	36	45	5	3,5	70	170	F10	102	4 x d12	PN16	14.00
DN80 (3")	20	21,5	6	370	36	45	5	3,5	70	180	F10	102	4 x d12	PN16	17.00
DN100 (4")	20	21,5	6	420	36	45	5	3,5	70	190	F10	102	4 x d12	PN16	21.00
DN125 (5")	20	21,5	6	480	36	45	5	3,5	70	200	F10	102	4 x d12	PN16	29.00
DN150 (6")	20	21,5	6	520	36	45	5	3,5	70	210	F10	102	4 x d12	PN16	38.00
DN200 (8")	30	32	8	620	55	65	5	4,5	100	230	F14	140	4 x d18	PN16	58.00
DN250 (10")	30	32	8	720	55	65	5	4,5	100	250	F14	140	4 x d18	PN16	90.00
DN300 (12")	30	32	8	780	55	65	5	4,5	100	270	F14	140	4 x d18	PN16	120.00

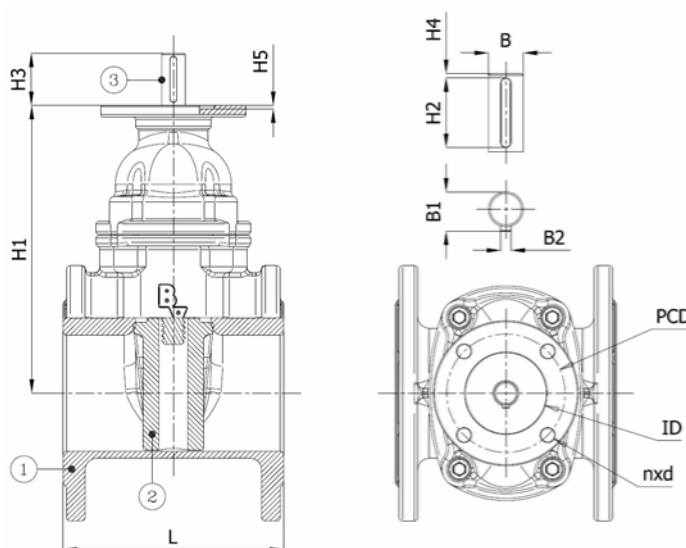
Item 1	Item 2	Item 3
Body Material	Wedge Material	Stem Material
Ductile iron : GGG50 + Epoxy coating	EPDM vulcanized on ductile iron core GGG50	Stainless steel : AISI 420

## BV49-3434E-F4-PN16 - ISO

Gate valve, flanged PN16, resilient seated, F4 short face to face, bare shaft with ISO 5211 flange for automation  
*Face to Face Standard:* EN 558-1 series 14



Item Number	Belven Ref
493444E0350	BV49-3434E-F4-PN16 DN350 - BARE SHAFT
493444E0400	BV49-3434E-F4-PN16 DN400 - BARE SHAFT
493444E0450	BV49-3434E-F4-PN16 DN450 - BARE SHAFT
493444E0500	BV49-3434E-F4-PN16 DN500 - BARE SHAFT
493444E0600	BV49-3434E-F4-PN16 DN600 - HANDWHEEL



DN/Size	B	B1	B2	H1	H2	H3	H4	H5	ID	L	ISO	PCD	n x d	Press.Cl.	Weight(kg)
DN350 (14")	30	32	8	884	60	65	5	4,5	100	290	F14	140	4 x d18	PN16	180.00
DN400 (16")	30	32	8	950	60	65	5	4,5	100	310	F14	140	4 x d18	PN16	235.00
DN450 (18")	30	32	8	1000	60	65	5	4,5	100	330	F14	140	4 x d18	PN16	345.00
DN500 (20")	30	32	8	1100	60	65	5	4,5	100	350	F14	140	4 x d18	PN16	415.00
DN600 (24")	30	32	8	1188		65	5	4,5	100	390	F14	140	4 x d18	PN16	585.00

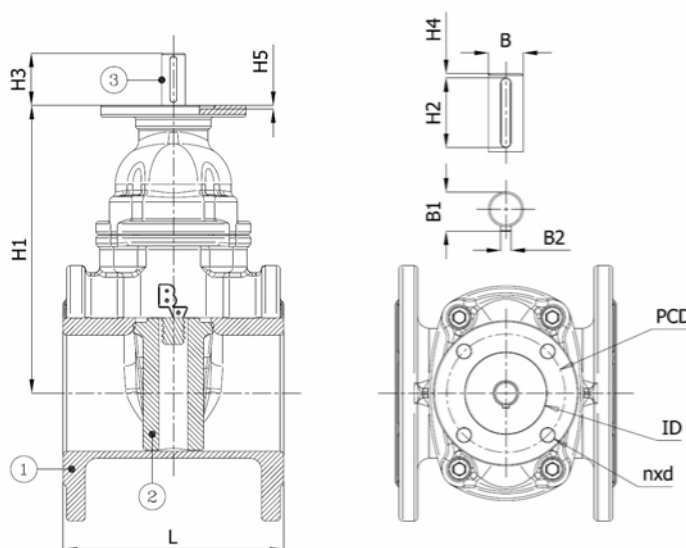
Item 1	Item 2	Item 3
Body Material	Wedge Material	Stem Material
Ductile iron : GGG50 + Epoxy coating	EPDM vulcanized on ductile iron core GGG50	Stainless steel : AISI 420

## BV49-3434E-F4-PN10 - ISO

Gate valve, flanged PN10, resilient seated, F4 short face to face, bare shaft with ISO 5211 flange for automation  
Face to Face Standard: EN 558-1 series 14



Item Number	Belven Ref
492444E0200	BV49-3434E-F4-PN10 DN200 - BARE SHAFT
492444E0250	BV49-3434E-F4-PN10 DN250 - BARE SHAFT
492444E0300	BV49-3434E-F4-PN10 DN300 - BARE SHAFT
492444E0350	BV49-3434E-F4-PN10 DN350 - BARE SHAFT
492444E0400	BV49-3434E-F4-PN10 DN400 - BARE SHAFT
492444E0450	BV49-3434E-F4-PN10 DN450 - BARE SHAFT
492444E0500	BV49-3434E-F4-PN10 DN500 - BARE SHAFT
492444E0600	BV49-3434E-F4-PN10 DN600 - BARE SHAFT



DN/Size	B	B1	B2	H1	H2	H3	H4	H5	ID	L	ISO	PCD	n x d	Press.Cl.	Weight(kg)
DN200 (8")	30	32	8	620	55	65	5	4,5	100	230	F14	140	4 x d18	PN10	58.00
DN250 (10")	30	32	8	720	55	65	5	4,5	100	250	F14	140	4 x d18	PN10	90.00
DN300 (12")	30	32	8	780	55	65	5	4,5	100	270	F14	140	4 x d18	PN10	120.00
DN350 (14")	30	32	8	884	60	65	5	4,5	100	290	F14	140	4 x d18	PN10	180.00
DN400 (16")	30	32	8	950	60	65	5	4,5	100	310	F14	140	4 x d18	PN10	235.00
DN450 (18")	30	32	8	1000	60	65	5	4,5	100	330	F14	140	4 x d18	PN10	345.00
DN500 (20")	30	32	8	1100	60	65	5	4,5	100	350	F14	140	4 x d18	PN10	415.00
DN600 (24")	30	32	8	1235	60	65	5	4,5	100	390	F14	140	4 x d18	PN10	575.00

Item 1	Item 2	Item 3
Body Material	Wedge Material	Stem Material
Ductile iron : GGG50 + Epoxy coating	EPDM vulcanized on ductile iron core GGG50	Stainless steel : AISI 420